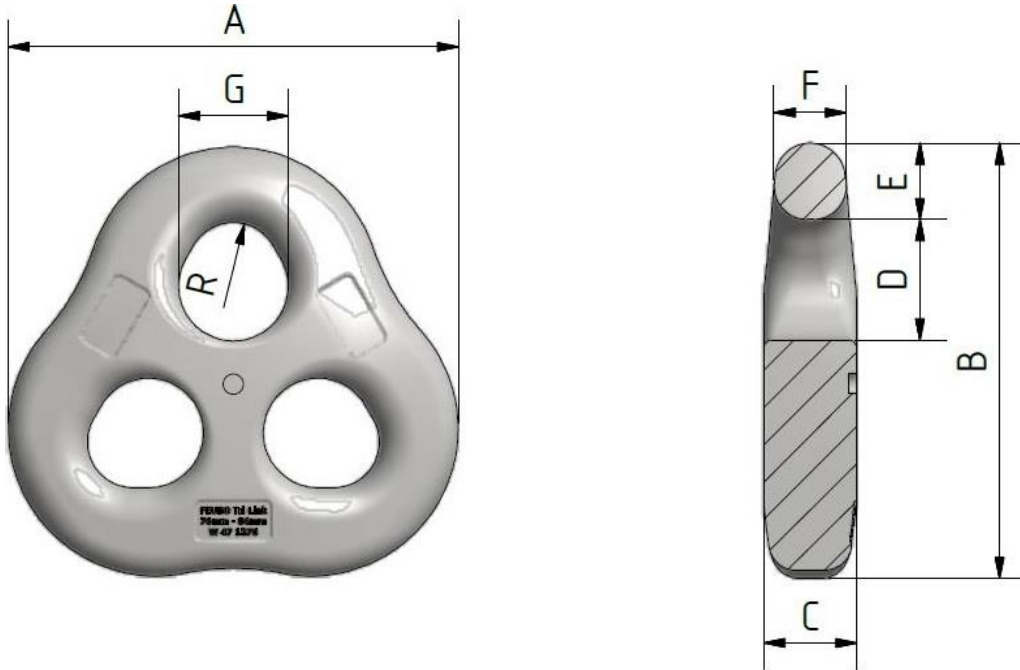


Links



Tri-Link Adapter

Offshore accessory to be used for Temporary and Mobile Mooring



chain dia.	A	B	C	D	E	F	G	R	R4 PL kN	R4 MBL kN	R4S PL kN	R4S MBL kN	R5 PL kN	R5 MBL kN
68-75	491	460	100	129	79	73	120	50	4617	5857	5130	6498	5365	6840
76-84	550	515	112	145	89	82	134	56	5682	7208	6313	7997	6602	8418
89-98	642	601	131	169	104	96	156	65	7501	9515	8335	10557	8717	11113
104-114	746	699	152	197	121	111	182	76	9791	12420	10879	13780	11378	14506



Application: Temporary and Mobile Mooring

Manufactured & Tested: in Germany by Feubo

Material: Forged Steel - Grade R4, R5

Features: Designed to fit any Kenter Type Joining Shackle of designated nominal chain size connect to Feubo Slim Swivel, Feubo Socket and chain